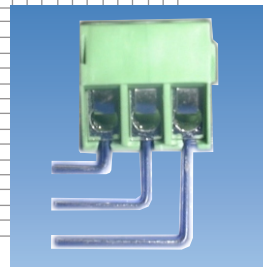


**EURO
TERMINAL BLOCK**



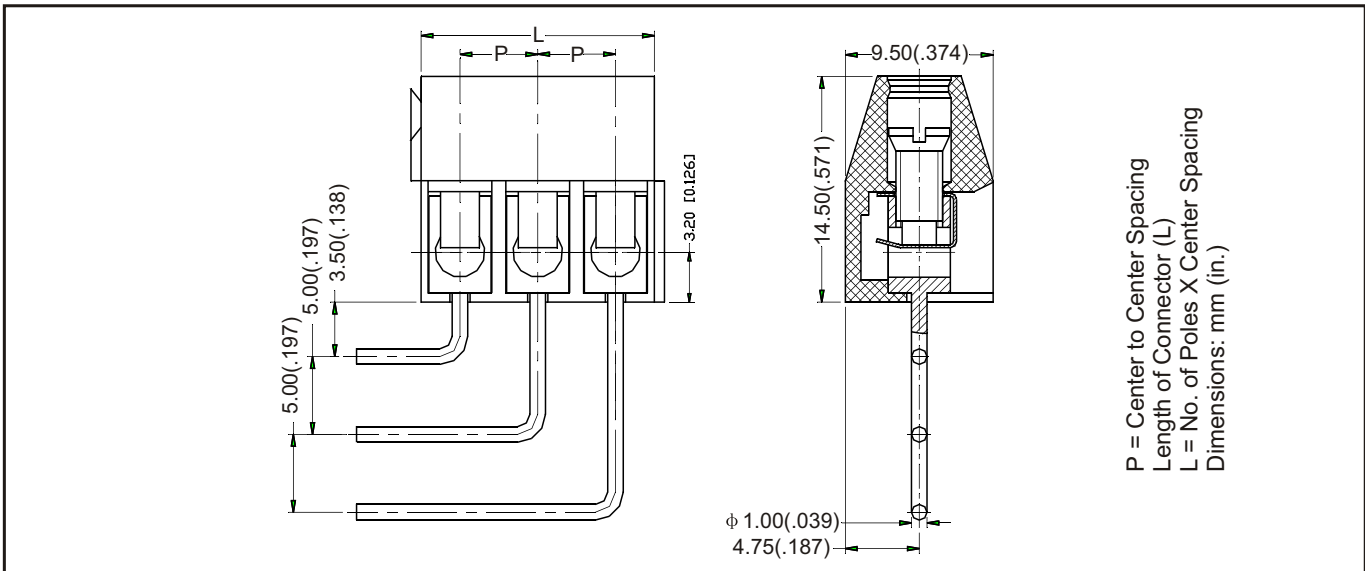
TYPE JTB450



SPECIFICATIONS

WIRE ENTRANCE:Parallel to PCB	MAX. TORQUE:3 lb-in.
CENTER SPACING:5.00mm / 0.197 in.	WIRE PROTECTOR:Bronze, Ni Plated
WIRE RANGE:14--24 AWG	SCREW:M3, Steel, Zinc Plated
ELECTRICAL RATING:300V, 15A	TERMINAL BODY:Brass, Tin Plated
BREAKDOWN VOLTAGE:4,000V	OPERATING:-40°C to +105°C
MOLDING:Pa66, UL94, V-0	MAX. SOLDERING:260°C , +500°F
Self Extinguishing	for 5 seconds

MECHANICAL DIMENSIONS



ORDERING INFORMATION

JTB450 — **0 4** — **1** — **0 3** — **2** — **M 2**

Styles 00 to 99	Spacing 1=5.00mm 2=5.08mm	Poles 02 to 32	Color 0=Light Grey 1=Black 2=Blue 3=Green 4=Dark Grey	Options*
---------------------------	--	--------------------------	---	-----------------

Options*: M1~M9, For Customer Modification (Please provide sketch).
If more than one option is required, please separate each option with a dash (-).