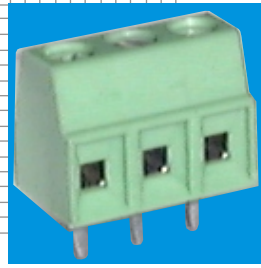


**EURO  
TERMINAL BLOCK**



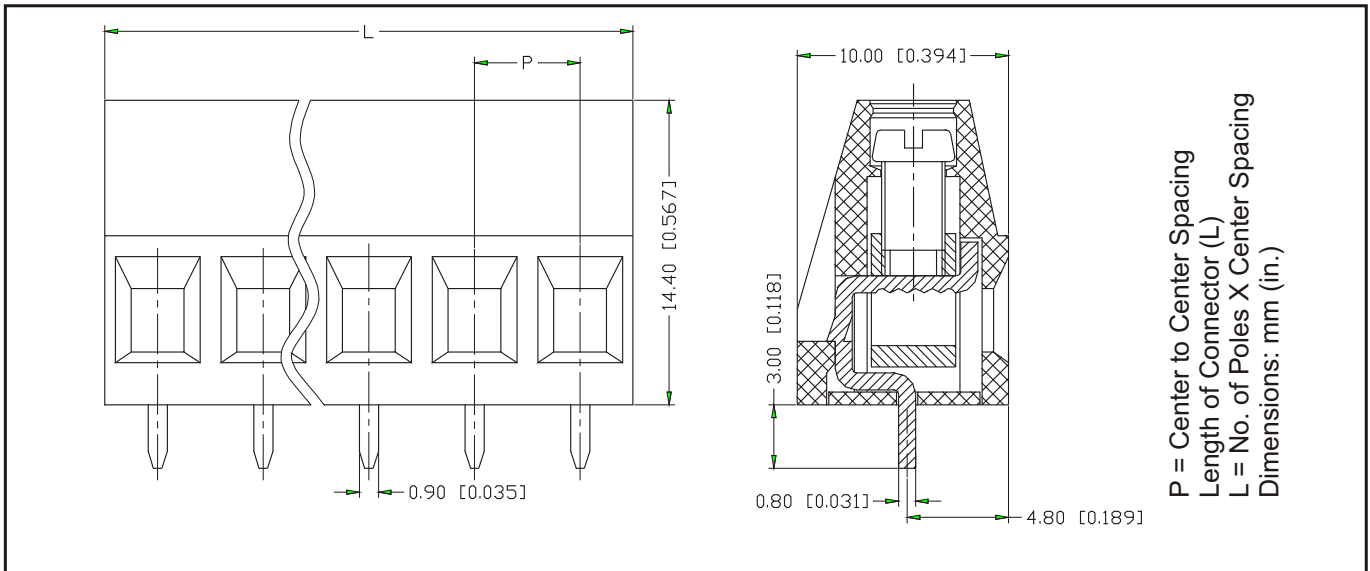
**TYPE JTB552**



**SPECIFICATIONS**

WIRE ENTRANCE: .....Parallel to PCB	WIRE CAGE: .....Brass, Ni Plated
CENTER SPACING: .....5.08mm / 0.200 in. 5.00mm / 0.197 in.	SCREW: .....M3, Philips Steel Zinc Plated
WIRE RANGE: .....12--26 AWG	TERMINAL: .....Brass, Tin Plated
ELECTRICAL RATING: .....300V, 15A	TEMPERATURE:
BREAKDOWN VOLTAGE: .....4,000V	OPERATING: .....-40°C to +105°C -40°F to + 221°F
MOLDING: .....Polyamide, UL94, V-0 Self Extinguishing	MAX. SOLDERING: .....260°C , +500°F for 5 seconds
MAX. TORQUE: .....4.5 lb-in.	

**MECHANICAL DIMENSIONS**



**ORDERING INFORMATION**

**JTB552** — **00** — **□** — **□□** — **□** — **M10**

<b>Styles</b> 00 to 99	<b>Spacing</b> 1=5.00mm 2=5.08mm	<b>Poles</b> 02 to 12	<b>Color</b> 0=Light Grey 1=Black 2=Blue 3=Green 4=Dark Grey	<b>Options*</b>
---------------------------	--	--------------------------	---	-----------------

**Options\*:** M1~M9, For Customer Modification (Please provide sketch).  
If more than one option is required, please separate each option with a dash (-).