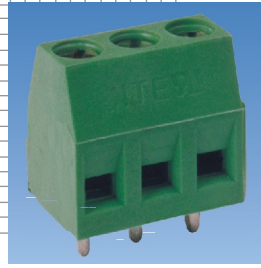


**EURO
TERMINAL BLOCK**



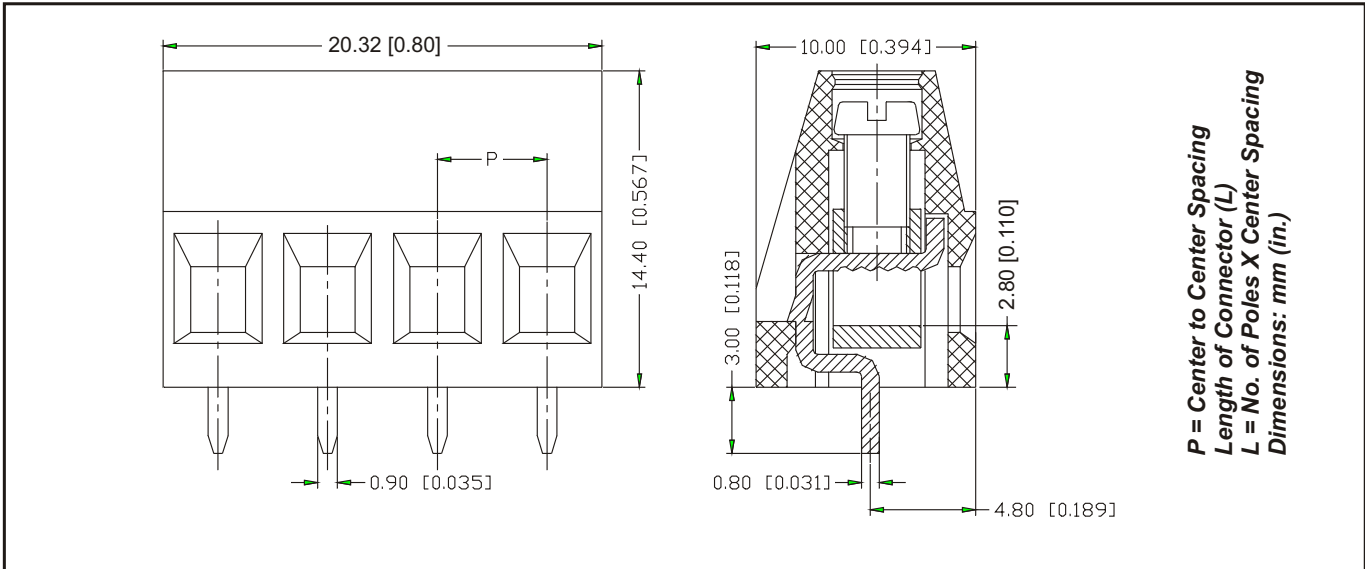
TYPE JTB552



SPECIFICATIONS

WIRE ENTRANCE:Parallel to PCB	WIRE CAGE:Brass, Ni Plated
CENTER SPACING:5.08mm / 5.00mm	SCREW:M3, Philips Steel Zinc Plated
WIRE RANGE:12--26 AWG	TERMINAL:Brass, Tin Plated
ELECTRICAL RATING:300V, 15A	OPERATING:-40°C to +105°C -40°F to + 221°F
BREAKDOWN VOLTAGE:4,000V	MAX. SOLDERING:260°C , +500°F for 5 seconds
MOLDING:Polyamide, UL94, V-0 Self Extinguishing	
MAX. TORQUE:4.5 lb-in.	

MECHANICAL DIMENSIONS



ORDERING INFORMATION

JTB552 — **00** — **□** — **04** — **3** — **M9**

Styles 00 to 99	Spacing 1=5.00mm 2=5.08mm	Poles 02 to 24	Color 0=Light Grey 1=Black 2=Blue 3=Green 4=Dark Grey	Options*
---------------------------	--	--------------------------	---	-----------------

Options*: M1~M9, For Customer Modification (Please provide sketch).
If more than one option is required, please separate each option with a dash ().